

PRODUCT DATA SHEET

12 Volt DC High Flow Pump Series FR4200



Description of Included Models

4210	Basic High-Flow 12 Volt DC Pump with 1" X 12' Hose & Nozzle, Telescoping Suction Tube and 15' of Battery Cable.
4211	Basic High-Flow 12 Volt DC Pump with 1" X 12' Hose & Nozzle, Telescoping Suction Tube, 15' of Battery Cable and Model 901 Meter Installed.
4410	Basic High-Flow 24 Volt DC Pump with 1" X 12' Hose & Nozzle, Telescoping Suction Tube and 15' of Battery Cable.
4411	Basic High-Flow 24 Volt DC Pump with 1" X 12' Hose & Nozzle, Telescoping Suction Tube, 15' of Battery Cable and Model 901 Meter Installed.

Performance

Maximum Outlet Pressure	14 PSI (0.96 BAR)
Maximum flow rate¹	20 GPM (75.8 LPM)
Maximum Viscosity of fluid pumped	Diesel Fuel
Maximum ambient operating temperature	150 °F (66 °C)*
Minimum ambient operating temperature	-15 °F (-26 °C)*
Minimum dry vacuum	8 Inches of Mercury
Maximum suction lift**	9 Feet for Gasoline*** & 10 Feet for Diesel

¹ Nominal flow rate at nominal voltage using a standard hose and manual nozzle with low viscosity fluid.

* Consult factory for extreme temperature applications outside this range.

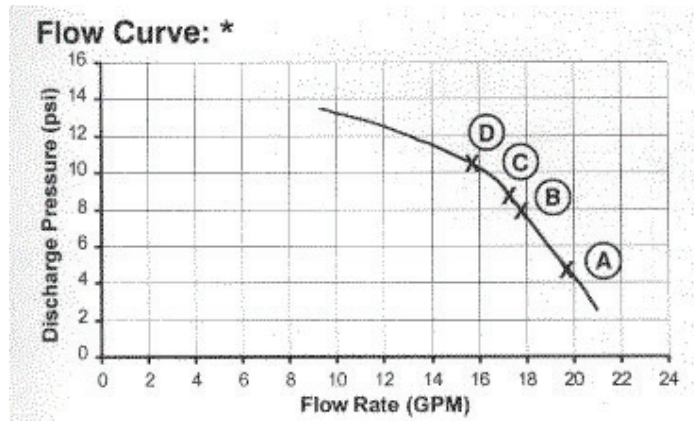
** The lift in feet is equivalent to the vertical distance from the surface of the fluid in the tank to the inlet of the pump, PLUS the friction losses through the vertical and horizontal runs of pipe, all elbows and other fittings. The system should be designed to require a minimum amount of suction lift.

*** Lift of gasoline dependent on Reid's vapor pressure of the gasoline and it's temperature. The lower the vapor pressure and

temperature, the higher the possible lift.

Flow Curve

- (A) FR4210 with 1" X 15' hose and manual nozzle
- (B) FR4210 with 1" X 15' hose, manual nozzle and 900 meter.
- (C) FR4210 with 1" X 15' hose and Husky 1+VIII automatic nozzle
- (D) FR4210 with 1" X 15' hose, Husky 1+VIII automatic nozzle and 900 meter.



*Nominal flow curve for reference only. Based on 3 feet suction lift. Actual flow rate may vary.

Fluid Compatibility

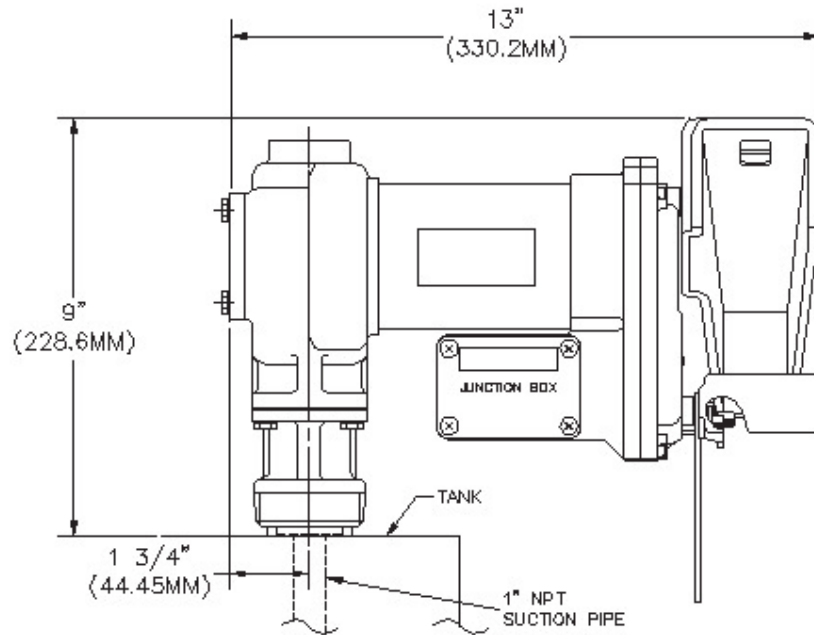
4200 Series pumps are compatible with the following fluids: Diesel, Gasoline, Kerosene, Mineral Spirits, Heptane and Hexane.

The FR4200 Series pumps are NOT compatible with the following fluids: Acetone, Ammonia, Benzene, Bleach, Hydrochloric Acid, Ink and Toluene.

If in doubt about the compatibility of a specific fluid, contact the supplier of the fluid to check for any adverse reactions to the following wetted materials.




Cast Iron	Steel	Stainless Steel
Bronze/Iron	Carbon	Polyester
Aluminum	Cork/Buna N	Buna N
Ceramic	Fiber	Zinc Plated Steel
Acetal	Fluorocarbon (all pumps)	Ryton (FR4211 & FR4411 only)

Outline Drawings



External threads in bung adapter are designed to fit the standard 2" NPT bung found on most barrels and tanks.

Safety Listings

Approval Organization Mark	Organization Description	File Number	Guide Number
	<p>Underwriters Laboratories Inc., a nationally recognized Independent organization for testing of products to ensure public safety. Also recognized and accepted in Canada.</p>	MH7817	RCRX
	<p>Compliance with applicable European standards</p>	N/A	N/A
	<p>Australian Certification Program - The Series FR4200 (12V, 76 LPM) and FR4400 (24V, 76 LPM) certified under Aus EX 3620.</p>	N/A	N/A