

# EH230 Series Emergency Hatches (metric)

Liquip offers a unique 225mm (9") aluminium emergency inspection hatch with a quick opening lid that doubles as an emergency vent with pressure/vacuum relieving vent and rollover protection. Now supplied in metric.



EH230 series emergency hatches.

## Features and Benefits

- Easy to open.
- Two stage opening for added safety.
- Operates as an emergency vent.
- Incorporates a standard Liquip pressure vacuum vent for thermal relief of the tanker (optional).
- Supplied as a complete unit ready for fitting to a tanker or storage tank.
- A wide variety of seals are available depending on the product being stored or transported.

## Technical Information

<b>Standards</b>	Complies with Australian Standard AS2809:2020 and pressure settings of EN14595.
<b>2 stage opening</b>	For safety the hatch has a two-stage opening and also acts as an emergency vent. Supplied as a complete assembly.
<b>Pressure and Capacity</b>	For emergency vent opening pressure refer below Emergency Vent capacity: 8,500 m <sup>3</sup> /hr @ 45 kPa. The Weld-in coaming is available in aluminium or mild steel.
<b>Coaming and Seals</b>	Wide variety of seals available to suit various applications & products.
<b>Pressure Vacuum Vents</b>	Optional pressure & vacuum vent can be incorporated. For opening pressure & capacity see PVV104M series datasheet.
<b>Dismantle</b>	Bridge & handle may be taken off by removing e-clips from pivot pins & removing pivots.
<b>Adjustment or Service</b>	Periodically check the seals, check emergency vent for correct opening pressure.
<b>Materials of Construction</b>	Vent cover, bridge and handle: Aluminium Seals: Nitrile (as standard) or Viton (on request as listed in drawing overleaf). Coamings: Aluminium or Mild Steel
<b>Mounting</b>	Coamings are mounted directly into tanker walkway.
<b>Weight</b>	6.0 Kg.

## Ordering Information

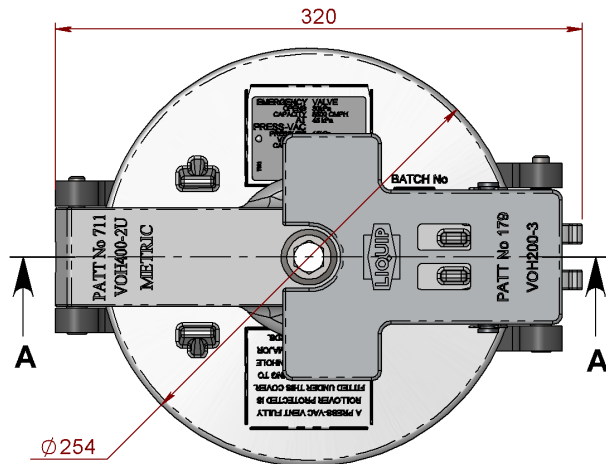
**EH230-1-2-3**  
**Example: EH230-A-6A-8A**

1	Coaming Material	<b>A</b> Aluminium	<b>M</b> Mild Steel
2	Emergency Vent	<b>6A</b> Australian market Nitrile seal Opens at 30kPa	<b>6B</b> International markets Nitrile seal Opens at 24 kPa
3	Pressure Vacuum Vent	<b>8A</b> PVV104M (Australia) Opens at: 10 to 17kPa 0 to -4 kPa vacuum Capacity: 98m <sup>3</sup> /hr at 35 kPa.	<b>8U</b> Blanking Plate PVV104UM (International) Opens at: 8 to 12kPa -0.4 to -2.5 kPa vacuum Capacity: 91m <sup>3</sup> /hr at 30 kPa.

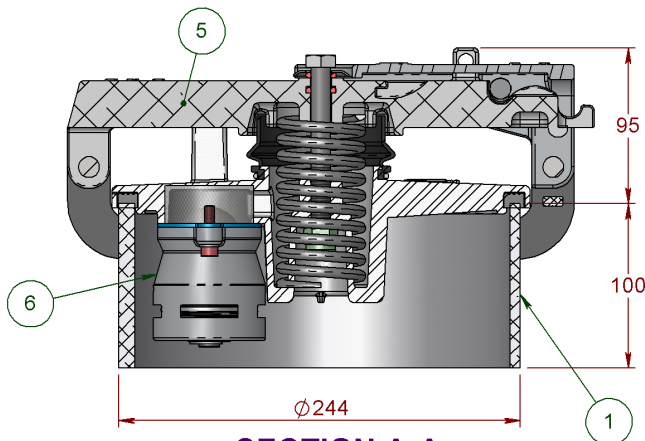
## Coamings

- **EH230-1M:** steel coaming hole required: approx Ø245mm
- **EH230-1A:** aluminium coaming 6060 T5 alloy hole required: approx Ø245mm

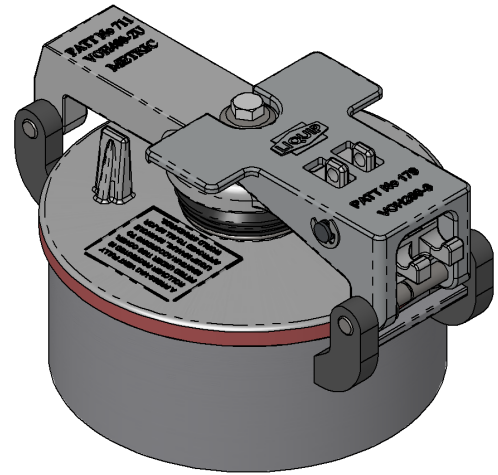
# EH230 METRIC EMERGENCY HATCH ASSEMBLIES



**TOP VIEW**



**SECTION A-A**



ITEM	PART NUMBER	DESCRIPTION	DESCRIPTION (CONT')	MATERIAL
1	EH230-1A	COAMING ASSEMBLY	9" EMERGENCY HATCHES	ALUMINIUM
	EH231-1A	COAMING ASSEMBLY 60MM HIGH	9" EMERGENCY HATCHES	ALUMINIUM
	EH230-1M	COAMING ASSEMBLY	9" EMERGENCY HATCHES	STEEL
	EH230-1S	COAMING ASSEMBLY	9" EMERGENCY HATCHES	ST STEEL
2	VOH501-32A	EMERGENCY VENT PLAIN BRIDGE & HANDLE	AUST SPRING & LABEL	ALUMINIUM & NITRILE
	VOH501-32AV	EMERG. VENT, BRIDGE & PLAIN HANDLE VITON SEAL 0237	AUST SPRING & LABEL	ALUMINIUM & VITON
	VOH501-32AVG	EMERGENCY VENT PLAIN BRIDGE & HANDLE	AUST SPRING & LABEL	ALUMINIUM & VITON GFLT
	VOH501-32U	EMERG. VENT BRIDGE & PLAIN HANDLE	SPRING & LABEL	ALUMINIUM & NITRILE
	VOH501-32UV	EMERG. VENT BRIDGE & PLAIN HANDLE VITON SEAL 0237	SPRING & LABEL	ALUMINIUM & VITON
3	PVV104-2	BLANKING PLATE	WHEN NO PVV FITTED	ALUMINIUM
	PVV104M	PRESSURE AND VACUUM VENT	AUST SPRING	ALUMINIUM
	PVV104UM	PRESSURE AND VACUUM VENT	INTERNATIONAL VERSION	ALUMINIUM

METERS - VALVES - VENTS - MANHOLES - HOSEREELS - OVERFILL PROTECTION - LOADING ARMS - ELECTRONIC DIPSTICKS



Wellington Head Office: 90 Sydney St, PO Box 38 720  
 Petone, Wellington, Tel: 64 4 568 4933, Fax: 64 4 568 4789  
 Email: sales@liquip.co.nz Website: www.liquip.co.nz

**X400021**

Sheet 1 of 1  
 Issue: A

