



## PVV200 Series

*The PVV204 series vents are designed for use on tank trucks which load or discharge with fill caps closed and incorporates roll-over protection.*

*The PVV204s prevent the build up of pressure and vacuum caused by expansion, contraction and tanker movement.*

*The PVV204 is designed primarily for thermal relief. The vent incorporates rollover protection by locking shut at any angle greater than 60° from the vertical.*

*The vent may also be used on storage and blending tanks. It is important that the pressure/vacuum capability of the tank is known. Different settings may be required.*

## Features & Benefits

- Allow excess pressure and vacuum to be equalised through a gauzed flame proof opening.
- Aluminium body and poppets (S/S also available).
- All models have roll-over protection ensuring compartment is sealed if tilted more than 60° from vertical.
- The vent is normally mounted directly to the manhole on the underside of the emergency vent or on a separate weld flange.
- PVV vents for chemical and stainless steel tanks available.

## Technical Information

### Materials

- Aluminium body & poppets.
- Stainless steel housing, shafts and springs.
- Bonded nitrile seals.
- Nylon coated bronze ball.

### Mounting

May be on a Liquip Manhole cover or on a separate weld flange.

### PVV204 (settings comply with AS2809)

- Pressure Setting 15 kPa.
- Vacuum Setting 3 kPa.
- Capacity 240m<sup>3</sup>/hr free air at 35 kPa.
- Max recommended liquid loading rate 1,000 LPM.
- Free air bleed hole in body.

### PVV204U (settings comply with international codes)

- Pressure Setting 10 kPa.
- Vacuum Setting 2 kPa.
- Capacity 240m<sup>3</sup>/hr free air at 35 kPa.
- Max recommended liquid loading rate 1,000 LPM.
- No bleed hole.

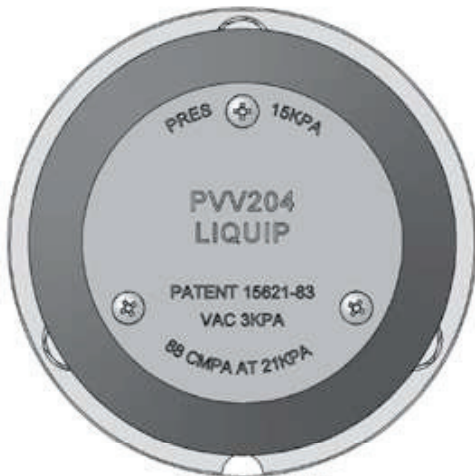
## Ordering Information

- **PVV204:** Aluminium Pressure & Vacuum Vent with Nitrile seals (complies to AS2809).
- **PVV204U:** Aluminium Pressure & Vacuum Vent with Nitrile seals (complies to UK & USA codes).
- **PVV204-ST316:** 316 Stainless Steel Pressure & Vacuum Vent with Teflon™ seals (for S/S tanks).
- **PVV204-AT:** Aluminium Pressure & Vacuum Vent with Teflon™ seals (for chemical use).
- **PVV204U-AT:** Aluminium Pressure & Vacuum Vent with Teflon™ seals (for chemical use).

## Associated Equipment

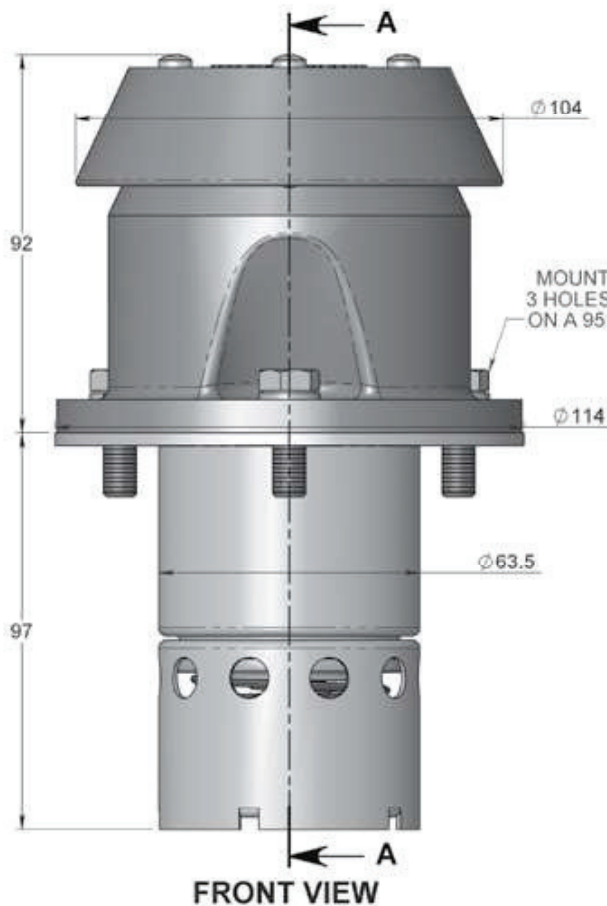
- VOH400 series Hatch.
- VOH700 series Hatches.
- SH300 series swing back Hatches.

## PVV204 PRESSURE & VACUUM VENT

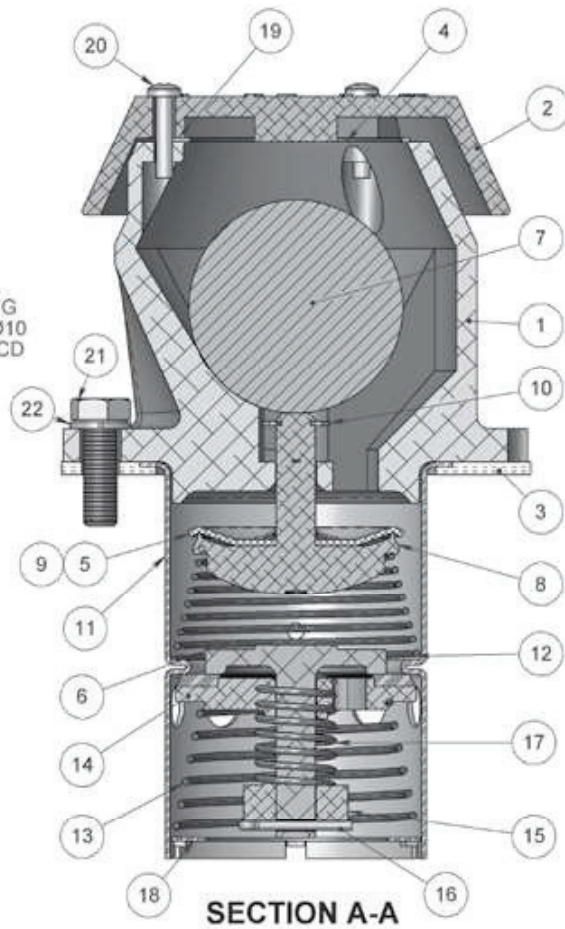


TOP VIEW  
(AUSTRALIAN MARKINGS)

PART	COMPLIES TO	PRESSURE & VACUUM SETTINGS
PVV204	AUSTRALIAN STANDARD AS2809-2008	PRESSURE 15-17kPa VACUUM 2kPa±1
PVV204U	UK & USA CODES	PRESSURE 8-12 kPa VACUUM 2kPa±1



FRONT VIEW



SECTION A-A

## PVV204 PRESSURE & VACUUM VENT

ITEM	PART No.	DESCRIPTION	PVV204	PVV204-ST316	PVV204-AT	PVV204U	MATERIAL
1	PVV204-1	VENT BODY	1	-	1	1	ALUMINIUM
	PVV204-1S	VENT BODY	-	1	-	-	ST STEEL
2	PVV204-2	COVER	1	-	1	-	ALUMINIUM
	PVV204-2S	COVER	-	1	-	-	ST STEEL
	PVV204-2U	COVER USA MARKINGS	-	-	-	1	ALUMINIUM
3	0658	GASKET	1	-	-	1	NBR-CORK
	4293	GASKET	-	1	1	-	EXP-PTFE
4	PVV204-4S	GAUZE	1	1	1	1	ST STEEL
5	4645	ROLLOVER SEAL DISC	-	1	1	-	PTFE
6	PVV204-8	PRESSURE POPPET	1	-	1	1	ALUMINIUM
	PVV204-8S	PRESSURE POPPET	-	1	-	-	ST STEEL
7	PVV204-3	ROLLOVER BALL	1	-	1	1	LEAD
	PVV204-3S	ROLLOVER BALL	-	1	-	-	ST STEEL
8	PVV204-7	ROLLOVER POPPET WITH BONDED SEAL	1	-	-	1	ALUMINIUM
	PVV204-7S	STAINLESS STEEL ROLLOVER POPPET	-	1	-	-	ST STEEL
	PVV204-7C	ROLLOVER POPPET	-	-	1	-	ALUMINIUM
9	6545	PUSH-ON CLIP	-	1	1	-	ST STEEL
10	55026	E-CLIP METRIC	1	1	1	1	ST STEEL
11	PVV204-6-316	HOUSING SPUN	1	1	1	1	ST STEEL
12	0057	SPRING COMPRESSION	1	-	1	1	ST STEEL
	4435	SPRING COMPRESSION	-	1	-	-	ST STEEL
13	0058	SPRING COMPRESSION	1	-	1	1	ST STEEL
	4436	SPRING COMPRESSION	-	1	-	-	ST STEEL
14	PVV204-9	VACUUM POPPET	1	-	-	1	ALUMINIUM
	PVV204-9S	VACUUM POPPET	-	1	-	-	ST STEEL
	PVV204-9C	VACUUM POPPET	-	-	1	-	ALUMINIUM
15	PVV204-13	SPRING RETAINER	1	-	1	-	ALUMINIUM
	PVV204-15	SPRING RETAINER	-	-	-	1	ALUMINIUM
16	4352	WASHER FLAT	-	1	-	-	ST STEEL
	0764	SPLIT PIN	1	-	1	1	ST STEEL
	2764	ROD TIG (SPLIT PIN SUBSTITUTE)	-	1	-	-	ST STEEL
17	0302	SPRING COMPRESSION	1	-	1	-	ST STEEL
	4437	SPRING COMPRESSION	-	1	-	-	ST STEEL
	4447	SPRING COMPRESSION	-	-	-	1	ST STEEL
18	PVV204-20-316	SPRING RETAINER	-	1	-	-	ST STEEL
	PVV204-20	SPRING RETAINER	1	-	1	1	ST STEEL
19	PVV204-5	GAUZE RETAINER	1	-	1	1	STEEL
	PVV204-5S	GAUZE RETAINER	-	1	-	-	ST STEEL
20	6645	TAPTITE SCREW METRIC	3	-	3	3	Z/P STEEL
	4838	SETSCREW IMPERIAL	-	3	-	-	ST STEEL
21	55057	SETSCREW METRIC	3	3	3	3	ST STEEL
22	5362	WASHER SPRING	3	3	3	3	ST STEEL
23	PVV204-18	INSTRUCTION LEAFLET	1	1	1	1	PAPER
24	6425	INSTRUCTION LEAFLET	-	1	1	-	PAPER

## Pressure & Vacuum Vents (PVV204)

- All manhole hatches can be supplied with 1 off PVV104 / PVV104U or 1 off PVV204 / PVV204U vent.
- Roll-over protection is built into the pressure and vacuum vent. A poppet completely seals off the vent if it reaches an angle of 60 degrees or more from the vertical. Flame proofing is provided by stainless steel gauze.
- The PVV204 series vents are designed for use on tankers which load or discharge at less than 500 litres/minute without any other free to air openings.
- The PVV204 provides more capacity than the standard PVV104, which accommodates only the thermal effects on the tanker. Roll-over protection is designed in and it locks shut at any angle greater than 60 degrees from vertical.
- The PVV204 vent can be fitted to the VOH200, VOH400 and VOH700 manhole cover using the VOH-22L adaptor flange.
- The PVV204 vent can be fitted to the walkway of the tank using the VRB-1 mounting flange. When the PVV204 is mounted to the walkway it must be as close to the centre of the compartment as possible and be mounted on a short pedestal above the walkway to lift it up above product surge effects.

